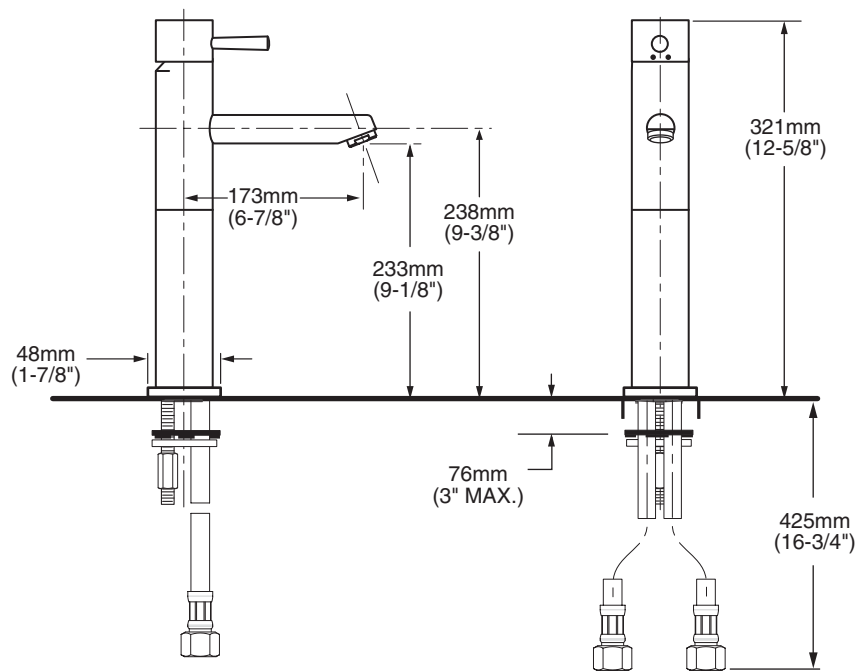


MODEL NUMBER:

- ☐ **2064 152 Single Control Vessel Sink**
Grid Drain.
- ☐ **2064 151 Single Control Vessel Sink**
Less Drain



GENERAL DESCRIPTION:

Brass body. Washerless 35mm ceramic disk valve cartridge with integral hot limit safety stop. Braided flexible supply hoses with 3/8" compression connectors. 1.84 gpm/8.3L/min. maximum flow rate at 60 p.s.i. (410kPa).

PRODUCT FEATURES:

Brass Construction: Durable. Easy to clean. Ideal for prolonged contact with water.

Ceramic Disc Valve Cartridge: Assures a lifetime of smooth handle operation and drip-free performance.

Adjustable Hot Limit Safety Stop: Limits the amount of hot water allowed to mix with cold. Reduces the risk of accidental scalding.

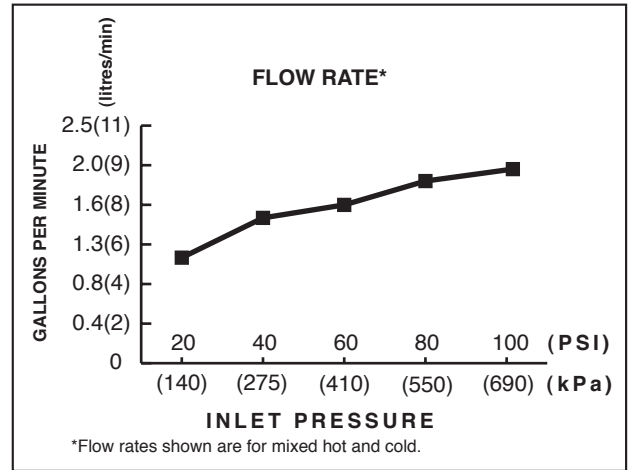
Low Lead: Meets NSF Standard 61/Section 9 & Prop 65 lead requirements.

Choice of Finishes: Available in Polished Chrome or Satin (PVD).


CODES AND STANDARDS

These products meet or exceed the following codes and standards:

ANSI A117.1
ASME A112.18.1M
CSA B 125
NSF 61/Section 9



Product Number	Description	Finish Options*	
		Polished Chrome	PVD Satin
		002	295
2064 152	Single Control Vessel Sink faucet with grid drain.		
2064 151	Single Control Vessel Sink faucet LESS drain.		

 Meets the American Disabilities Act Guidelines and **ANSI A117.1** Requirements for the physically challenged.

*EverClean™ Finish:

- Offered on Polished Chrome (002) and Satin (295) finish.
- One wipe effortlessly removes spots.
- Eliminates the need for cleaners and scrubbing.