

**SAVONA™ ELONGATED ONE-PIECE TOILET**

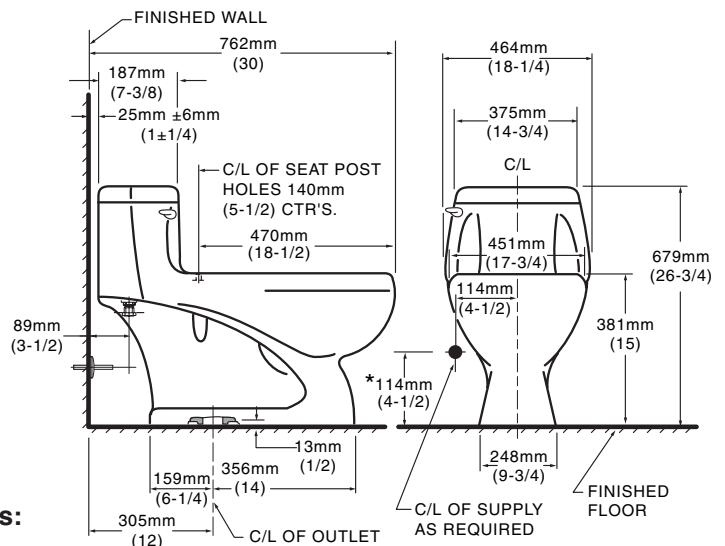
**2097 014**

- Vitreous china
- Low-consumption (6.0 Lpf/1.3 gpf)
- One-piece design toilet
- Elongated siphon action bowl and tank with smooth-sided, concealed trapway
- Sleek one-piece Easy-Clean™ design eliminates crevices and squared corners
- Rim height at 381mm (15")
- Fitted tank cover
- Smart Valve water control (for quieter refill)
- Colour-matched side mounted trip lever
- 2 bolt caps
- Includes colour-matched solid plastic comfort toilet seat (5349 019) with concealed seat ring and finger lift feature and Rise and Shine™ easy-to-clean, lift-off hinge system
- Internal trapway area fully glazed
- 100% factory flush tested



**Nominal Dimensions:**

762 x 464 x 679mm  
(30" x 18-1/4" x 26-3/4")



**Compliance Certifications -**

**Meets or Exceeds the Following Specifications:**

- ASME A112.19.2M (and 19.6M)
- CAN/CSA B45 series

To Be Specified

- Colour:
- Supply with stop:

**NOTES:**

THIS TOILET IS DESIGNED TO ROUGH-IN AT A MINIMUM DIMENSION OF 305MM (12") FROM FINISHED WALL TO C/L OF OUTLET.

SUPPLY NOT INCLUDED WITH FIXTURE AND MUST BE ORDERED SEPARATELY.

\* DIMENSION SHOWN FOR LOCATION OF SUPPLY IS SUGGESTED.

IMPORTANT: Dimensions of fixtures are nominal and may vary within the range of tolerance established by ANSI Standard A112.19.2

These measurements are subject to change or cancellation. No responsibility is assumed for use of superseded or voided pages.