

# Introducing Cadet<sup>®</sup> 3 FloWise<sup>™</sup> Toilets

## The Compact Cadet<sup>®</sup> 3 Toilet

Our beautiful Compact Cadet<sup>®</sup> 3 One-Piece Toilet is now available in a pure performance High Efficiency model which flushes on 20% less water without sacrificing performance. The Cadet<sup>®</sup> 3 FloWise<sup>™</sup> One Piece Toilet flushes on 4.8L, and was MaP tested to the maximum 1,000 grams, which qualifies the model in the US EPA's WaterSense program and is a perfect solution for LEED project application. Space saving compact design offers an Elongated Right Height toilet that fits into a standard Round Front space.

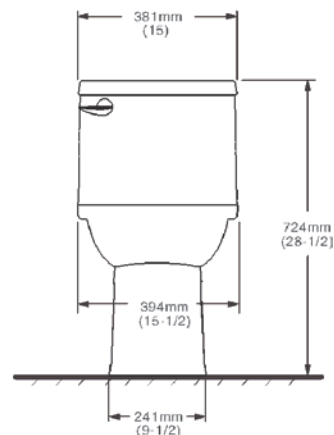
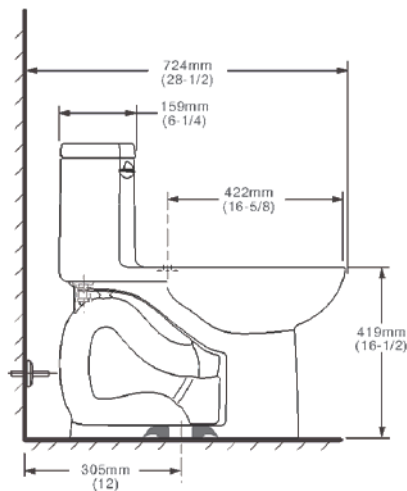
The Cadet<sup>®</sup> 3 FloWise<sup>™</sup> One Piece Toilet is available in American Standard White, Bone, Linen, Silver, and Black.

Cadet 3 FloWise toilets are also available in 3 two piece models.

*For details see reverse*



Compact Cadet<sup>®</sup> 3 FloWise<sup>™</sup> One-Piece Toilet 2403 128





# Cadet 3® Flowise™ Toilets

featuring the Cadet® 3 flushing system

## Pure Performance

Using 20% less water than standard 6L toilets



### A. Fluidmaster 400A Water Control

- Quiet, reliable fill valve for trouble-free operation.

### B. Larger Flush Valve

- 3" chemical resistant flapper combined with a direct-fed jet delivers a powerful water flow to provide exceptional flush performance.



### EverClean™ Anti-Microbial Glaze

- Permanent anti-microbial glaze keeps toilet surfaces cleaner by continuously inhibiting the growth of stain and odor causing bacteria, mold and mildew.

The super smooth, permanent glaze results in a mirror-like surface that is easier to keep clean even after years of use.

### D. Fully-Glazed 2-1/8" Outlet

- Delivers a faster flush with fewer clogs. The smooth outlet design eliminates chock points and reduces dust catching crevices. All toilets are factory tested for a 2" ballpass.

### E. Raised Bowl Backsplash

- Prevents liquids from collecting between tank and bowl.

### F. Perfect Flat Tank Lid

- Provides superior storage and greater stability.

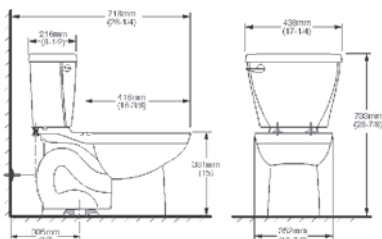
### 5 Year Warranty Inside & Out

- Let's you buy with confidence.

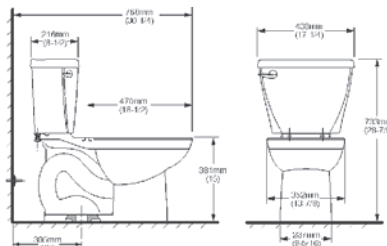
MaP Score 800g - 1,000g



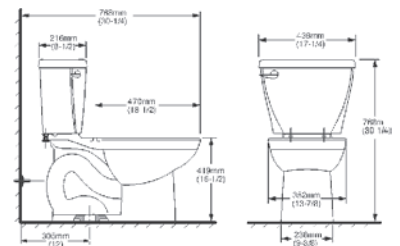
Cadet® 3 Flowise™ Round Front Toilet  
2829 128



Cadet® 3 Flowise™ Elongated Toilet  
2832 128



Cadet® 3 Flowise™ Elongated RH Toilet  
2829 128



January 26, 2009

TO: OUR VALUED CUSTOMERS

SUBJECT: INTRODUCTION OF

- CADET® 3 FLOWISE™ TOILET LINE
- FLOWISE™ DUAL FLUSH RIGHT HEIGHT TOILET

On behalf of American Standard I am pleased to announce the introduction and immediate availability of our new Cadet® 3 Flowise™ Toilet Line and Flowise™ Right Height Dual Flush toilet, the newest additions to our ever expanding line of water efficient "Green Choice" fixtures. These exciting new products add yet another new level of performance to this popular line while also adding style options to suit virtually any application.

### COMPACT CADET® 3 FLOWISE™ ONE-PIECE TOILET

Our beautiful Compact Cadet® 3 One-Piece Toilet is now available in a pure performance High Efficiency model which flushes on 20% less water without sacrificing performance. The Cadet® 3 FloWise™ One Piece Toilet flushes on 4.8L, and was MaP tested to the maximum 1,000 grams, which qualifies the model in the US EPA's WaterSense program and is a perfect solution for LEED project application.

#### Standard features include:

- Maximum performance with 20% less water usage than 6L models.
- Space saving compact design offers an Elongated Right Height toilet that fits into a standard round front space.
- Design coordinated slow close seat with easy lift tab and telescoping cover which conceals the seat when closed.
- EverClean® surface on toilet and seat for increased family hygiene.
- Five year "inside-out" all inclusive warranty which covers both chinaware and tank trim parts.

The Cadet® 3 Flowise™ One Piece Toilet is available in American Standard White, Bone, Linen, Silver, and Black.



### CADET® 3 FLOWISE™ TWO-PIECE TOILETS

All Cadet® 3 Flowise™ two-piece 4.8L toilets are Watersense certified and qualify for LEED application. Models available include Elongated Right Height, Elongated and Round Front all of which are available in our most popular colours: American Standard White, Bone, Linen, Silver and Black.



---

## CADET® 3 FLOWISE™ TWO-PIECE TOILETS

---

### Standard features include:

- Optimum performance with 20% less water usage than 6L models.
- Oversized chemical resistant 3" flush valve and generous 2-1/8" trapway.
- Full EverClean® surface on toilet and seat for increased family hygiene.
- Five year all inclusive warranty covering both chinaware and tank trim parts.

Cadet® 3 FloWise™ Two Piece toilets are the perfect solution for today's cost conscious, performance seeking consumer.

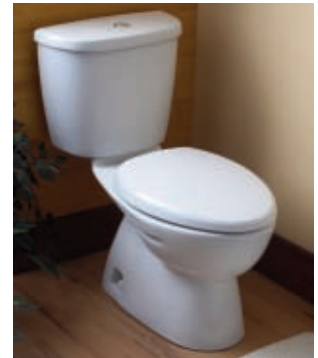
---

## FLOWISE™ RIGHT HEIGHT DUAL FLUSH TOILET.

---

We're pleased to announce the addition and immediate availability of the new Right Height model to our line of FloWise™ Dual Flush toilets.

FloWise™ Dual Flush toilets allow the user to choose 50% water savings for liquids, using 3L only or a full 6L flush for solids, a net savings of over 30% with high performance (600-900 MaP score) for the full flush. These toilets feature an attractive concealed trapway design, design coordinated slow close seat, come equipped with a 2 year warranty on chinaware and tank trim and, most importantly, qualify for the EPA's WaterSense program and are a perfect solution for LEED projects.



Please review the attached New Product Sheet, Specification Sheets and Price pages for complete details on all these exciting new additions to our Green Choices Fixture Line. Your American Standard Sales Representative will be contacting you shortly to review these new products and to assist you in placing initial stocking orders and showroom orders.

On behalf of everyone at American Standard I would like to thank you for your continued support of our products and services. We look forward to promoting these newest Flowise fixtures to your staff and to your customers.

Yours truly,



Graeme Lennox  
Manager, Advertising and Marketing Services

UPC CODES:


MATERIAL	DESCRIPTION	UPC CODES
2403128.020	COMPACT CADET3 FLOWISE 1 PC TOILET WHT	033056714287
2403128.021	COMPACT CADET3 FLOWISE 1 PC TOILET BON	033056714294
2403128.165	COMPACT CADET3 FLOWISE 1 PC TOILET SIL	033056714300
2403128.178	COMPACT CADET3 FLOWISE 1 PC TOILET BLK	033056714317
2403128.222	COMPACT CADET3 FLOWISE 1 PC TOILET LIN	033056714324
3011128.020	CADET 3 FLOWISE RF BOWL WHT	033056710739
3011128.021	CADET 3 FLOWISE RF BOWL BON	033056710746
3011128.165	CADET 3 FLOWISE RF BOWL SIL	033056710753
3011128.178	CADET 3 FLOWISE RF BOWL BLK	033056710760
3011128.222	CADET 3 FLOWISE RF BOWL LIN	033056710777
3014128.020	CADET 3 FLOWISE EL BOWL WHT	033056710784
3014128.021	CADET 3 FLOWISE EL BOWL BON	033056710791
3014128.165	CADET 3 FLOWISE EL BOWL SIL	033056710807
3014128.178	CADET 3 FLOWISE EL BOWL BLK	033056710814
3014128.222	CADET 3 FLOWISE EL BOWL LIN	033056710937
3016128.020	CADET 3 FLOWISE EL RH BOWL WHT	033056709375
3016128.021	CADET 3 FLOWISE EL RH BOWL BON	033056717455
3016128.165	CADET 3 FLOWISE EL RH BOWL SIL	033056717462
3016128.178	CADET 3 FLOWISE EL RH BOWL BLK	033056717479
3016128.222	CADET 3 FLOWISE EL RH BOWL LIN	033056717486
3073216.020	FLOWISE DUAL FLUSH EL RH BOWL WHT	033056710333
3073316.020	FLOWISE DUAL FLUSH RHEL W/SLOW CLOSE SEAT WHT	033056718964
4021128.020	CADET 3 FLOWISE 12" ROUGH UNLINED TANK WHT	033056709368
4021128.021	CADET 3 FLOWISE 12" ROUGH UNLINED TANK BON	033056717417
4021128.165	CADET 3 FLOWISE 12" ROUGH UNLINED TANK SIL	033056717424
4021128.178	CADET 3 FLOWISE 12" ROUGH UNLINED TANK BLK	033056717431
4021128.222	CADET 3 FLOWISE 12" ROUGH UNLINED TANK LIN	033056717448
4021513.020	CADET 3 FLOWISE 12" ROUGH LINED TANK WHT	033056719046
4021513.021	CADET 3 FLOWISE 12" ROUGH LINED TANK BON	033056728154
4021513.165	CADET 3 FLOWISE 12" ROUGH LINED TANK SIL	033056728161
4021513.178	CADET 3 FLOWISE 12" ROUGH LINED TANK BLK	033056728185
4021513.222	CADET 3 FLOWISE 12" ROUGH LINED TANK LIN	033056728178
4021613.020	CADET3 FLOWISE TANK W/LOCKING LID WHT	033056711842
4021613.021	CADET3 FLOWISE TANK W/LOCKING LID BON	033056711859
4021613.165	CADET3 FLOWISE TANK W/LOCKING LID SIL	033056711866
4021613.178	CADET3 FLOWISE TANK W/LOCKING LID BLK	033056711873
4021613.222	CADET3 FLOWISE TANK W/LOCKING LID LIN	033056711880
4021713.020	CADET3 FLOWISE TANK W/LINER-TCLD WHT	033056734407
4021713.021	CADET3 FLOWISE TANK W/LINER-TCLD BON	033056734414
4021713.165	CADET3 FLOWISE TANK W/LINER-TCLD SIL	033056734421
4021713.178	CADET3 FLOWISE TANK W/LINER-TCLD BLK	033056734438
4021713.222	CADET3 FLOWISE TANK W/LINER-TCLD LIN	033056734445
4021813.020	CADET3 FLOWISE TANK W/RH TRIP WHT	033056734261
4021813.021	CADET3 FLOWISE TANK W/RH TRIP BON	033056734278
4021813.165	CADET3 FLOWISE TANK W/RH TRIP SIL	033056734285
4021813.178	CADET3 FLOWISE TANK W/RH TRIP BLK	033056734292
4021813.222	CADET3 FLOWISE TANK W/RH TRIP LIN	033056734308
4021913.020	CADET3 FW TANK W/RH TRIP & TCLD WHT	033056734452
4021913.021	CADET3 FW TANK W/RH TRIP & TCLD BON	033056734469
4021913.165	CADET3 FW TANK W/RH TRIP & TCLD SIL	033056734476
4021913.178	CADET3 FW TANK W/RH TRIP & TCLD BLK	033056734490
4021913.222	CADET3 FW TANK W/RH TRIP & TCLD LIN	033056734483


2480 Stanfield Road, Mississauga, Ontario L4Y 1S2  
 Customer Care Centre: 1-800-387-0369  
 Mississauga Only: (905) 306-1093



Visit the all new [www.americanstandard.ca](http://www.americanstandard.ca)

Low consumption (1.6gpf/6.0Lpf) Toilets

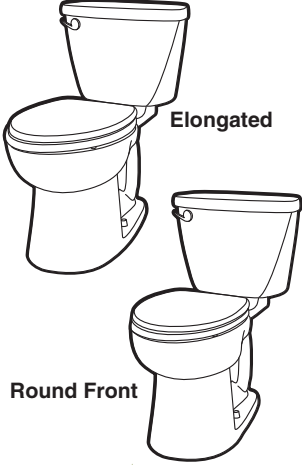


One-Piece Toilets Vitreous China	FIXTURE NO.	DESCRIPTION	WEIGHT	PTS.	CU. FT/ CTN PLT. QTY.	LIST PRICE			AVAILABLE COLORS							
						White	Color	Premium								
<p><b>COMPACT CADET® 3 FLOWISE™ ONE-PIECE TOILET WITH SEAT</b></p>  <p><b>2403 128</b></p> <ul style="list-style-type: none"> <li>• <b>Right Height™ Elongated Bowl</b></li> <li>• Space saving! Compact elongated bowl fits in the space of a round front</li> <li>• High efficiency, ultra-low consumption (4.8Lpf/1.28 gpf)</li> <li>• <b>Meets EPA WaterSense™ Criteria</b></li> <li>• 12" (305mm) rough-in</li> <li>• 16-1/2" bowl rim height for accessible application</li> <li>• EverClean™ Surface inhibits the growth of stain and odor causing bacteria, mold and mildew on the surface</li> <li>• Features the <b>Cadet® 3 Flushing System</b></li> <li>• Includes color-matched and design-matched solid plastic toilet seat and cover with slow-close hinges and EverClean™ Surface. Seat features unique sanitary seat lift tab.</li> <li>• Oversized 3" flush valve with chemical resistant flapper</li> <li>• 10" x 8" water surface area</li> <li>• Fully glazed 2-1/8" trapway</li> <li>• Internal trapway area fully glazed</li> <li>• 2 color-matched bolt caps</li> <li>• 5 year warranty</li> </ul> <p><b>Nominal Dimensions -</b> Length x Width x Height: 28-1/2" x 15-1/2" x 28-1/2" (724 x 394 x 724mm)</p> <p><b>Available Component Parts:</b></p> <p><b>735125-400</b> • Tank Cover (specify color)</p> <p>▷ <b>738903-XXX0A</b> • Trip Lever (specify finish) 002 Chrome 068 Blackened Bronze 295 Satin</p>										97 lbs (44 kg)	4.6	9.8 8	629.00	786.00	<b>865.00</b>	020 White 021 Bone 165 Silver 222 Linen <b>178 Black</b>
						38.00	46.00	<b>50.00</b>								
							24.00	30.00	30.00							

**L**  When installed, top of seat is 17" to 19" (432mm to 483mm) from the finished floor.

Meets all ANSI / ASME Low-Consumption, Water Conservation Requirements

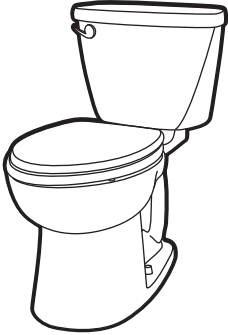




▷ Repair Part

High Efficiency (1.28gpf/4.8Lpf) Toilets

Two-Piece Toilets Vitreous China	FIXTURE NO.	DESCRIPTION	WEIGHT	PTS.	CU. FT/ CTN. PLT. QTY.	LIST PRICE			AVAILABLE COLOURS	
						White	Colour	Premium		
 <p><b>CADET® 3 FloWise™ TOILETS</b></p> <p><b>Elongated</b></p> <p><b>Round Front</b></p> <p><i>American Standard</i> GREEN CHOICES</p> <p><b>CADET® 3</b> Flushing System</p>  		<ul style="list-style-type: none"> <li>• Combination bowl and tank, less seat</li> <li>• 12" (305mm) rough</li> <li>• High efficiency, ultra-low consumption (4.8Lpf/1.28 gpf)</li> <li>• <b>Meets EPA WaterSense™ Criteria</b></li> <li>• EverClean™ Surface inhibits the growth of stain and odor causing bacteria, mold and mildew on the surface</li> <li>• Featuring the <b>Cadet® 3 Flushing System</b></li> <li>• Siphon action jetted bowl</li> <li>• Fully glazed 2-1/8" trapway</li> <li>• Generous 9" x 8" water surface area</li> <li>• Closed-coupled tank with flat tank lid for superior storage</li> <li>• Oversized 3" flush valve with chemical resistant flapper</li> <li>• Chrome-plated trip lever</li> <li>• Speed Connect™ tank-to-bowl coupling system</li> <li>• Sanitary bar with four point tank stabilization</li> <li>• Two colour-matched bolt caps</li> <li>• 100% factory flush tested</li> <li>• 5 year warranty</li> </ul>							020 White 021 Bone 165 Silver 222 Linen 178 Black	
	2832 128	<b>ELONGATED</b> Nominal Dimensions - 30-1/4" x 17-1/4" x 28-7/8" (768 x 438 x 733mm)					388.00	484.00	542.00	
	2832 513	<b>LINED ELONGATED</b>					422.00	526.00	589.00	
	2829 128	<b>ROUND FRONT</b> Nominal Dimensions - 28-1/4" x 17-1/4" x 28-7/8" (718 x 438 x 733mm)					315.00	394.00	442.00	
	2829 513	<b>LINED ROUND FRONT</b>					349.00	436.00	489.00	
	<b>Separate components:</b>									
	3014 128	• <b>Elongated</b> bowl with two (2) bolt caps	57.4 lbs (26 kg)	1.7	3.7		250.00	311.00	349.00	
	3011 128	• <b>Round Front</b> bowl with two (2) bolt caps	54 lbs (24.5 kg)	1.4	3.9		177.00	221.00	249.00	
	4021 128	• Tank complete with coupling components and tank trim	30 lbs (13.6 kg)	0.8	1.8		138.00	173.00	193.00	
	4021 513	• Lined Tank w/Aquaguard Liner		0.8	30		172.00	215.00	240.00	
4021 613	• Unlined Tank w/Bolted Cover		0.8			166.00	208.00	233.00		
4021 713	• Lined Tank w/Aquaguard Liner and Bolted Cover		0.8			200.00	250.00	280.00		
4021 813	• Unlined Tank w/Right Hand Trip Lever		0.8			138.00	173.00	193.00		
4021 913	• Unlined Tank w/Bolted Cover and Right Hand Trip Lever		0.8			166.00	208.00	233.00		
735121-400	• Tank Cover (specify colour)					38.00	46.00	50.00		
▷ 738903-XXX0A	• Trip Lever (specify finish) 002 Chrome (supplied) 020 White 068 Blackened Bronze 099 Polished Brass 295 Satin					24.00 30.00 30.00 30.00 30.00				
▷ Repair Part										

High Efficiency Toilet (HET) utilizes 20% less water than traditional 1.6gpf/6.0Lpf toilets

High Efficiency (1.28gpf/4.8Lpf) Toilets

Two-Piece Toilets Vitreous China	FIXTURE NO.	DESCRIPTION	WEIGHT	PTS.	CU. FT/ CTN PLT. QTY.	LIST PRICE			AVAILABLE COLOURS	
						White	Colour	Premium		
    		<ul style="list-style-type: none"> <li>• Combination bowl and tank, less seat</li> <li>• 12" (305mm) rough</li> <li>• High efficiency, ultra-low consumption (4.8Lpf/1.28 gpf)</li> <li>• <b>Meets EPA WaterSense™ Criteria</b></li> <li>• EverClean™ Surface inhibits the growth of stain and odor causing bacteria, mold and mildew on the surface</li> <li>• Featuring the <b>Cadet@ 3 Flushing System</b></li> <li>• 16-1/2" rim height for accessible application</li> <li>• Elongated siphon action jetted bowl</li> <li>• Fully glazed 2-1/8" trapway</li> <li>• Generous 9" x 8" water surface area</li> <li>• Closed-coupled tank with flat tank lid for superior storage</li> <li>• Oversized 3" flush valve with chemical resistant flapper</li> <li>• Chrome-plated trip lever</li> <li>• Speed Connect™ tank-to-bowl coupling system</li> <li>• Sanitary bar with four point tank stabilization</li> <li>• Two colour-matched bolt caps</li> <li>• 100% factory flush tested</li> <li>• 5 year warranty</li> </ul>							020 White 021 Bone 165 Silver 222 Linen <b>178 Black</b>	
	<b>2835 128</b>	<b>RIGHT HEIGHT™ ELONGATED</b>					425.00	535.00	<b>584.00</b>	
		<b>Nominal Dimensions -</b>								
		30-1/4" x 17-1/4" x 30-1/4"								
		(768 x 438 x 768mm)								
	<b>2835 513</b>	<b>RIGHT HEIGHT™ ELONGATED LINED</b>					459.00	577.00	<b>631.00</b>	
	<b>Separate components:</b>									
	<b>3016 128</b>	• <b>Right Height™ Elongated</b> bowl with two (2) bolt caps	58 lbs (26.3 kg)	1.7	4.1 18	287.00	362.00	<b>391.00</b>		
	<b>4021 128</b>	• Tank complete with coupling components and tank trim	30 lbs (13.6 kg)	0.8	1.8 30	138.00	173.00	<b>193.00</b>		
	<b>4021 513</b>	• Lined Tank w/Aquaguard Liner		0.8		172.00	215.00	<b>240.00</b>		
<b>4021 613</b>	• Unlined Tank w/Bolted Cover		0.8		166.00	208.00	<b>233.00</b>			
<b>4021 713</b>	• Lined Tank w/Aquaguard Liner and Bolted Cover		0.8		200.00	250.00	<b>280.00</b>			
<b>4021 813</b>	• Unlined Tank w/Right Hand Trip Lever		0.8		138.00	173.00	<b>193.00</b>			
<b>4021 913</b>	• Unlined Tank w/Bolted Cover and Right Hand Trip Lever		0.8		166.00	208.00	<b>233.00</b>			
<b>735121-400</b>	• Tank Cover (specify colour)				38.00	46.00	<b>50.00</b>			
▷ <b>738903-XXX0A</b>	• Trip Lever (specify finish) 002 Chrome (supplied) 020 White 068 Blackened Bronze 099 Polished Brass 295 Satin				24.00 30.00 30.00 30.00 30.00					






When installed, top of seat is 17" to 19"(432mm to 483mm) from the finished floor.

High Efficiency Toilet (HET) utilizes 20% less water than traditional 1.6gpf/6.0Lpf toilets

▷ Repair Part

Low Consumption (1.3 gpf/6.0Lpf) Toilets

Two-Piece Toilets Vitreous China	FIXTURE NO.	DESCRIPTION	WEIGHT	PTS.	CU. FT/ CTN PLT QTY	LIST PRICE	AVAILABLE COLOURS
						020 WHITE	
 <p><b>DUAL FLUSH RIGHT HEIGHT ELONGATED TOILET</b></p>  		<ul style="list-style-type: none"> <li>• Vitreous china</li> <li>• Low-consumption Dual Flush Full flush 6.0 Lpf/1.3 gpf, Partial flush 3.0 Lpf/0.66 gpf</li> <li>• Elongated wash down bowl</li> <li>• Internal trapway fully-glazed, 2-5/8" (67mm) ballpass</li> <li>• Concealed trapway bowl</li> <li>• Chrome-plated top mounted push button actuator</li> <li>• EasyClean™ Sanitary Dam on bowl</li> <li>• 100% factory flush tested</li> <li>• 2 bolt caps</li> <li>• <b>Seat included</b></li> </ul> <p><b>Nominal Dimensions:</b> 31-1/4" x 17" x 30-1/8" (794 x 432 x 765 mm)</p>					020 White
	2476 216	• Elongated Toilet				337.00	
	2476 516	• Elongated Toilet with lined tank				352.00	
	2484 216	• Right Height™ Elongated Toilet				363.00	
	2484 516	• Right Height™ Elongated Toilet with lined tank				378.00	
	3067 316	<p><b>Separate Component Parts:</b></p> <ul style="list-style-type: none"> <li>• Elongated bowl only with two (2) bolt caps</li> </ul>	25 kg (55.8 lbs)	1.9	<u>4.2</u> 18	174.00	
	3073 316	• Elongated Right Height™ bowl with two (2) bolt caps	25 kg (55.8 lbs)	1.9	<u>4.2</u> 18	200.00	
	4035 216	• Tank complete with coupling components and tank trim	13 kg (28.7 lbs)	0.8	<u>1.4</u> 20	163.00	
	4035 516	• Tank complete with Aquaguard liner	13 kg (28.7 lbs)	0.8	<u>1.4</u> 20	178.00	
	735130-400	• Tank Cover				49.00	
7381034-200	• Tank Cover Locking Device				25.00		

COMPACT CADET® 3 FloWise® ELONGATED  
RIGHT HEIGHT™ ONE-PIECE TOILET WITH SEAT

2403 128

- Vitreous china
- Meets definition for HET (High Efficiency Toilet)
- High Efficiency (4.8 Lpf/1.07 gpf)
- Space saving compact design - Elongated Right Height bowl fits in the same space as a round front toilet
- EverClean® surface inhibits the growth of stain and odor causing bacteria, mold, and mildew
- Featuring the **Cadet®3 Flushing System**
- One-piece design
- Elongated siphon action jetted bowl with 54 mm (2-1/8") trapway
- Internal trapway area fully glazed
- Rim height at 419mm (16-1/2") for accessible application
- Includes colour-matched and design-matched solid plastic toilet seat and cover with slow-close hinges and EverClean® surface. Seat features unique sanitary seat lift tab
- Oversized 76mm (3") Flush Valve with Chemical Resistant Flapper
- 254 x 208mm (10 x 8") water surface
- 2 bolt caps
- Chrome Trip Lever
- 100% factory flush tested
- 5 year warranty



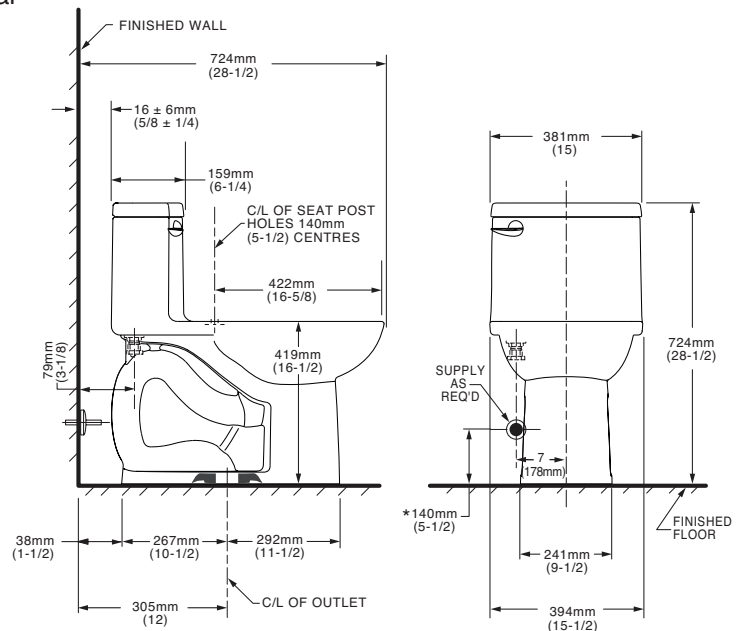
Nominal Dimensions:

724 x 394 x 724mm  
(28-1/2" x 15-1/2" x 28-1/2")

Compliance Certifications -

Meets or Exceeds the Following Specifications:

- ASME A112.19.2M for Vitreous China Fixtures - includes Flush Performance, Ball Pass Diameter, Trap Seal Depth and all Dimensions
- Certified in EPA WaterSense HET program
- CAN/CSA B45 series



NOTES:

THIS TOILET IS DESIGNED TO ROUGH-IN AT A MINIMUM DIMENSION OF 305MM (12") FROM FINISHED WALL TO C/L OF OUTLET.  
SUPPLY NOT INCLUDED WITH FIXTURE AND MUST BE ORDERED SEPARATELY.  
\* DIMENSION SHOWN FOR LOCATION OF SUPPLY IS SUGGESTED.  
FOR ADDITIONAL INFORMATION REFER TO INSTALLATION INSTRUCTIONS SUPPLIED.  
IMPORTANT: Dimensions of fixtures are nominal and may vary within the range of tolerance established by ANSI Standard A112.19.2  
These measurements are subject to change or cancellation. No responsibility is assumed for use of superseded or voided pages.

To Be Specified

- Colour:  White  Bone  Linen  
 Silver Gray  Black
- Supply with stop:



● When installed so top of seat is 432 to 483mm (17" to 19") from the finished floor.

MEETS THE AMERICAN DISABILITIES ACT GUIDELINES AND ANSI A117.1 REQUIREMENTS FOR ACCESSIBLE AND USEABLE BUILDING FACILITIES-CHECK LOCAL CODES.



CADET® 3  
Flushing System

CADET® 3 FloWise® ROUND FRONT TOILET

2829 128

- Vitreous china
- Meets definition for HET (High Efficiency Toilet)
- High Efficiency (4.8 Lpf/1.07 gpf)
- Certified in EPA Water Sense Program
- Qualifies in LEEDS Program
- EverClean® surface inhibits the growth of stain and odor causing bacteria, mold, and mildew on the surface
- Featuring the **CADET®3 Flushing System**
- Round front siphon action jetted bowl with fully glazed 54mm (2-1/8") trapway
- Generous 229 x 208mm (9 x 8") water surface
- Close-coupled tank with flat tank cover for superior storage
- Oversized 76mm (3") Flush Valve with Chemical Resistant Flapper
- Chrome trip lever
- Speed Connect™ tank/bowl coupling system
- Sanitary dam on bowl with four point tank stabilization
- 2 colour-matched bolt caps
- 100% factory flush tested
- 5 year warranty

Separate Component Parts:

3011 128 Round Front Bowl

4021 128 Unlined Tank

Nominal Dimensions:

718 x 438 x 733mm  
(28-1/4" x 17-1/4" x 28-7/8")

Fixture only, seat and supply by others

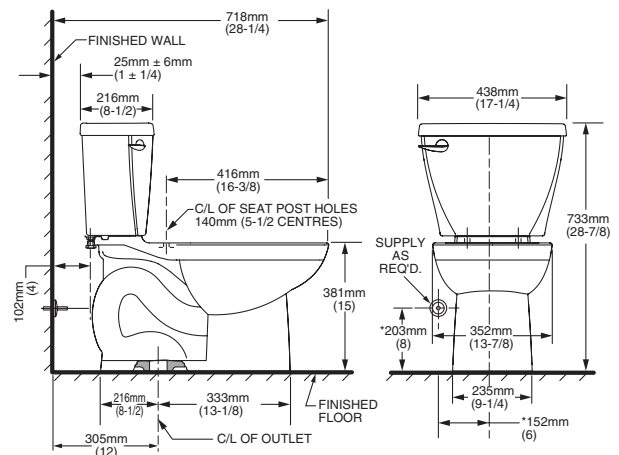
Alternative Tank Configurations Available:

- 3011 513 Lined Tank w/Aquaguard Liner
- 3011 613 Unlined Tank w/Bolted Cover
- 3011 713 Lined Tank w/Aquaguard Liner and Bolted Cover
- 3011 813 Unlined Tank w/Right Hand Trip Lever
- 3011 913 Unlined Tank w/Bolted Cover and Right Hand Trip Lever

Compliance Certifications -

Meets or Exceeds the Following Specifications:

- ASME A112.19.2M for Vitreous China Fixtures - includes Flush Performance, Ball Pass Diameter, Trap Seal Depth and all Dimensions
- Certified in EPA WaterSense HET program
- CAN/CSA B45 series



To Be Specified

- Colour:  White  Bone  Linen  
 Silver Gray  Black
- Seat: #5330 010 Round Front Champion® Slow Close solid plastic seat and cover with easy lift off feature.
- Seat: #5282 011 Round Front EverClean™ solid plastic seat and cover.
- Supply with stop:

NOTES:

THIS TOILET IS DESIGNED TO ROUGH-IN AT A MINIMUM DIMENSION OF 305MM (12") FROM FINISHED WALL TO C/L OF OUTLET.

SUPPLY NOT INCLUDED WITH FIXTURE AND MUST BE ORDERED SEPARATELY.

\* DIMENSION SHOWN FOR LOCATION OF SUPPLY IS SUGGESTED.

FOR ADDITIONAL INFORMATION REFER TO INSTALLATION INSTRUCTIONS SUPPLIED.

IMPORTANT: Dimensions of fixtures are nominal and may vary within the range of tolerance established by ANSI Standard A112.19.2

These measurements are subject to change or cancellation. No responsibility is assumed for use of superseded or voided pages.



CADET® 3 FloWise® ELONGATED TOILET

2832 128

- Vitreous china
- Meets definition for HET (High Efficiency Toilet)
- High Efficiency (4.8 Lpf/1.07 gpf)
- Certified in EPA Water Sense Program
- Qualifies in LEEDS Program
- EverClean® surface inhibits the growth of stain and odor causing bacteria, mold, and mildew on the surface
- Featuring the **Cadet®3 Flushing System**
- Elongated siphon action jetted bowl with fully glazed 54mm (2-1/8") trapway
- Generous 229 x 208mm (9 x 8") water surface
- Close-coupled tank with flat tank cover for superior storage
- Oversized 76mm (3") Flush Valve with Chemical Resistant Flapper
- Chrome trip lever
- Speed Connect™ tank/bowl coupling system
- Sanitary dam on bowl with four point tank stabilization
- 2 colour-matched bolt caps
- 100% factory flush tested
- 5 year warranty

Separate Component Parts:

- 3014 128 Elongated Bowl
- 4021 128 Unlined Tank

Nominal Dimensions:

768 x 438 x 733mm  
(30-1/4" x 17-1/4" x 28-7/8")

Fixture only, seat and supply by others

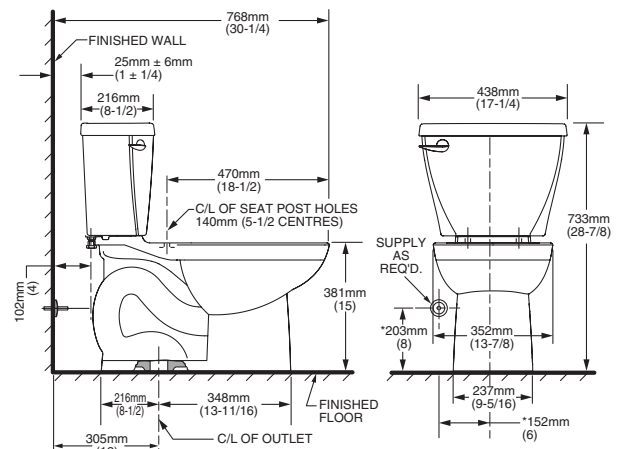
Alternative Tank Configurations Available:

- 4021 513 Lined Tank w/Aquaguard Liner
- 4021 613 Unlined Tank w/Bolted Cover
- 4021 713 Lined Tank w/Aquaguard Liner and Bolted Cover
- 4021 813 Unlined Tank w/Right Hand Trip Lever
- 4021 913 Unlined Tank w/Bolted Cover and Right Hand Trip Lever

Compliance Certifications -

Meets or Exceeds the Following Specifications:

- ASME A112.19.2M for Vitreous China Fixtures - includes Flush Performance, Ball Pass Diameter, Trap Seal Depth and all Dimensions
- Certified in EPA WaterSense HET program
- CAN/CSA B45 series



To Be Specified

- Colour:  White  Bone  Linen  Silver Gray  Black
- Seat: #5325 010 Elongated Champion® Slow Close solid plastic seat and cover with easy lift off feature.
- Seat: #5284 016 Elongated EverClean™ solid plastic seat and cover.
- Supply with stop:

NOTES:

THIS TOILET IS DESIGNED TO ROUGH-IN AT A MINIMUM DIMENSION OF 305MM (12") FROM FINISHED WALL TO C/L OF OUTLET. SUPPLY NOT INCLUDED WITH FIXTURE AND MUST BE ORDERED SEPARATELY. \* DIMENSION SHOWN FOR LOCATION OF SUPPLY IS SUGGESTED. FOR ADDITIONAL INFORMATION REFER TO INSTALLATION INSTRUCTIONS SUPPLIED. IMPORTANT: Dimensions of fixtures are nominal and may vary within the range of tolerance established by ANSI Standard A112.19.2. These measurements are subject to change or cancellation. No responsibility is assumed for use of superseded or voided pages.



**CADET® 3 FloWise®  
RIGHT HEIGHT™ ELONGATED TOILET**

**2835 128**

- Vitreous china
- Meets definition for HET (High Efficiency Toilet)
- High Efficiency (4.8 Lpf/1.07 gpf)
- Certified in EPA Water Sense Program
- Qualifies in LEEDS Program
- EverClean® surface inhibits the growth of stain and odor causing bacteria, mold, and mildew on the surface
- Featuring the **Cadet®3 Flushing System**
- 419mm (16-1/2") rim height for accessible applications
- Elongated siphon action jetted bowl with fully glazed 54mm (2-1/8") trapway
- Generous 229 x 208mm (9 x 8") water surface
- Close-coupled tank with flat tank cover for superior storage
- Oversized 76mm (3") Flush Valve with Chemical Resistant Flapper
- Chrome trip lever
- Speed Connect™ tank/bowl coupling system
- Sanitary dam on bowl with four point tank stabilization
- 2 colour-matched bolt caps
- 100% factory flush tested
- 5 year warranty

**Separate Component Parts:**

- 3016 128** Right Height™ Elongated Bowl
- 4021 128** Unlined Tank

Nominal Dimensions:

768 x 438 x 768mm  
(30-1/4" x 17-1/4" x 30-1/4")

Fixture only, seat and supply by others

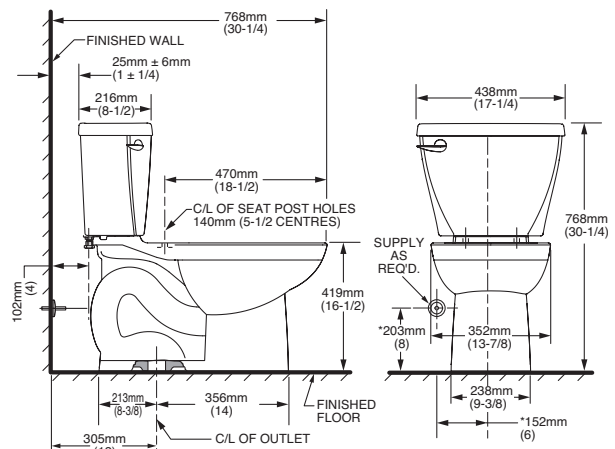
**Alternative Tank Configurations Available:**

- 4021 513** Lined Tank w/Aquaguard Liner
- 4021 613** Unlined Tank w/Bolted Cover
- 4021 713** Lined Tank w/Aquaguard Liner and Bolted Cover
- 4021 813** Unlined Tank w/Right Hand Trip Lever
- 4021 913** Unlined Tank w/Bolted Cover and Right Hand Trip Lever

**Compliance Certifications -**

**Meets or Exceeds the Following Specifications:**

- ASME A112.19.2M for Vitreous China Fixtures - includes Flush Performance, Ball Pass Diameter, Trap Seal Depth and all Dimensions
- Certified in EPA WaterSense HET program
- CAN/CSA B45 series



**To Be Specified**

- Colour:  White  Bone  Linen  Silver Gray  Black
- Seat: #5325 010 Elongated Champion® Slow Close solid plastic seat and cover with easy lift off feature.
- Seat: #5284 016 Elongated EverClean™ solid plastic seat and cover.
- Supply with stop:

**NOTES:**

THIS TOILET IS DESIGNED TO ROUGH-IN AT A MINIMUM DIMENSION OF 305MM (12") FROM FINISHED WALL TO C/L OF OUTLET. SUPPLY NOT INCLUDED WITH FIXTURE AND MUST BE ORDERED SEPARATELY. \* DIMENSION SHOWN FOR LOCATION OF SUPPLY IS SUGGESTED. FOR ADDITIONAL INFORMATION REFER TO INSTALLATION INSTRUCTIONS SUPPLIED. IMPORTANT: Dimensions of fixtures are nominal and may vary within the range of tolerance established by ANSI Standard A112.19.2 These measurements are subject to change or cancellation. No responsibility is assumed for use of superseded or voided pages.



• When installed so top of seat is 432 to 483mm (17" to 19") from the finished floor.

**MEETS THE AMERICAN DISABILITIES ACT GUIDELINES AND ANSI A117.1 REQUIREMENTS FOR ACCESSIBLE AND USEABLE BUILDING FACILITIES-CHECK LOCAL CODES.**



**CADET® 3**  
Flushing System



**FloWise™ DUAL FLUSH RIGHT HEIGHT™  
ELONGATED TOILET**

**2484 216**

- Vitreous china
- Low-consumption Dual Flush  
Full flush 6.0 Lpf/1.3 gpf,  
Partial flush 3.0 Lpf/0.66 gpf.
- Right Height™ Elongated wash down bowl
- Internal trapway fully-glazed,  
2-1/4" (57mm) ballpass
- Concealed trapway bowl
- Chrome-plated top mounted  
push button actuator
- Easy to clean sanitary dam on bowl
- Includes Elongated Slow Close Seat
- 100% factory flush tested
- 2 bolt caps

**Separate Component Parts:**

- 3073 316** Right Height™ Elongated Bowl
- 4035 216** Unlined Tank



- 2484 516** Same as above with Lined tank
- 3073 316** Right Height™ Elongated Bowl
- 4035 516** Lined Tank

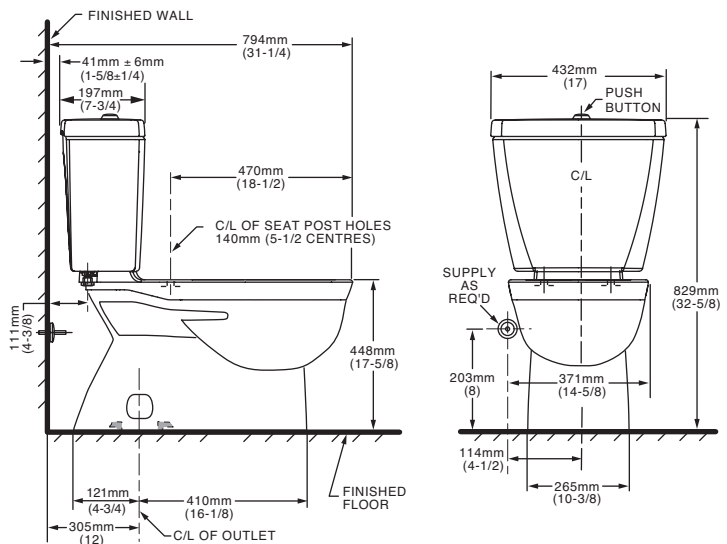
Nominal Dimensions:  
794 x 432 x 829mm  
(31-1/4" x 17" x 32-5/8")

**Compliance Certifications -  
Meets or Exceeds the Following Specifications:**

- ASME A112.19.2M (and 19.6M)
- CAN/CSA B45 series

To Be Specified

- Colour: 020 White
- Supply with stop:



**NOTES:**

THIS TOILET IS DESIGNED TO ROUGH-IN AT A MINIMUM DIMENSION OF 305MM (12") FROM FINISHED WALL TO C/L OF OUTLET.  
SUPPLY NOT INCLUDED WITH FIXTURE AND MUST BE ORDERED SEPARATELY.  
\* DIMENSION SHOWN FOR LOCATION OF SUPPLY IS SUGGESTED.  
FOR ADDITIONAL INFORMATION REFER TO INSTALLATION INSTRUCTIONS SUPPLIED.  
IMPORTANT: Dimensions of fixtures are nominal and may vary within the range of tolerance established by ANSI Standard A112.19.2  
These measurements are subject to change or cancellation. No responsibility is assumed for use of superseded or voided pages.



• When installed so top of seat is 432 to 483mm (17" to 19") from the finished floor.

**MEETS THE AMERICAN DISABILITIES ACT GUIDELINES AND ANSI A117.1 REQUIREMENTS FOR ACCESSIBLE AND USEABLE BUILDING FACILITIES-CHECK LOCAL CODES.**