

LUCIA™ WALL-HUNG SINK

- Vitreous china
- 2" (51mm) high Integral back splash
- For concealed arm installation
- Integral side shelves
- Shown with optional vitreous china shroud/
knee contact guard 0059 020 available
- Faucet deck.
(Faucet shown not included)

- 0145 001 Centre hole only
- 0145 501 Centre hole only with sealed overflow
- 0145 100 Centre hole & shroud combination
- 0145 105 Centre hole with sealed overflow &
shroud combination
- 0059 020 Shroud/Knee Contact Guard

Nominal Dimensions:
35-1/2" x 20-1/2"
(900 x 520mm)

Note: Must be installed with concealed arm carrier.
Please allow proper wall depth clearance for
concealed arm carrier support.

COMPLIANCE CERTIFICATIONS –

Meets or exceeds the following Specifications:

- ASME A112.19.2-2008
- CSA B45.1-08 for Vitreous China Fixtures.

To Be Specified

- Colour: White
- Faucet*:
- Faucet Finish:
- Supplies:
- Trap 1-1/4" (32mm):
- Concealed Arms Support Carrier (by others):

* See faucet section for additional models available



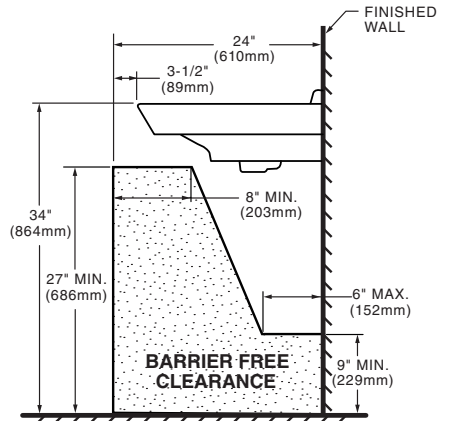
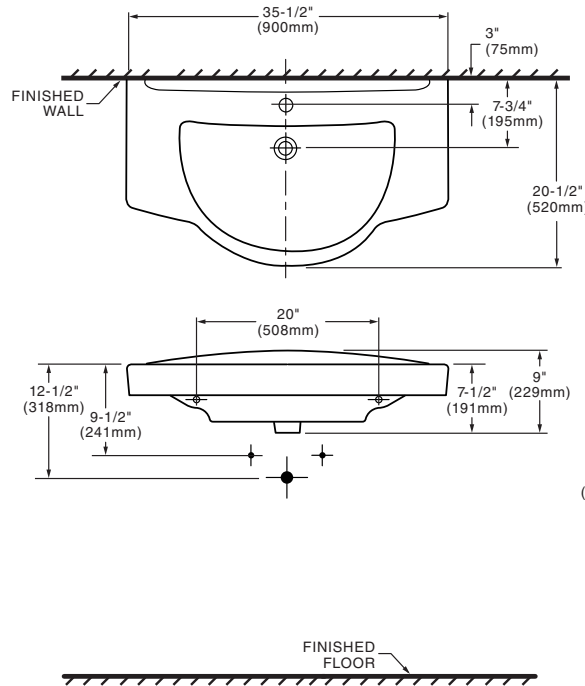
● Top of front rim mounted 864mm (34") from finished floor.
**MEETS THE AMERICAN DISABILITIES ACT GUIDELINES
AND ANSI A117.1 REQUIREMENTS FOR PEOPLE WITH
DISABILITIES**



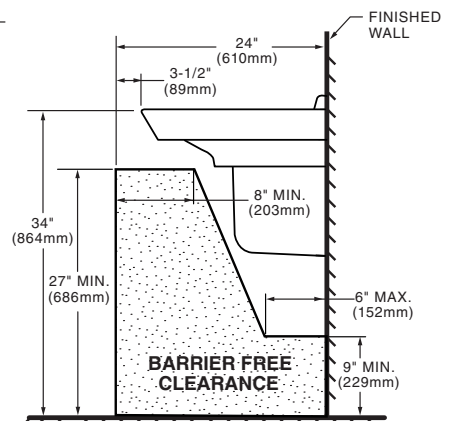
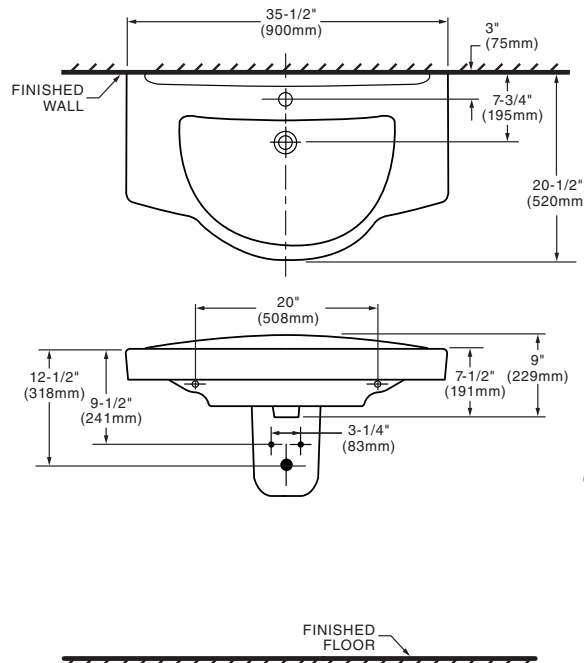
Shown: 0145 100 Centre hole & shroud

SEE REVERSE FOR ROUGHING-IN DIMENSIONS

- 0145 001** Centre Hole
- 0145 501** Centre Hole with sealed overflow



- 0145 100** Centre Hole & Shroud
- 0145 105** Centre Hole with sealed overflow & shroud combination



NOTES:

* DIMENSIONS SHOWN FOR LOCATION OF SUPPLIES AND "P" TRAP ARE SUGGESTED. PROVIDE SUITABLE REINFORCEMENT FOR ALL WALL SUPPORTS. FAUCETS NOT INCLUDED AND MUST BE ORDERED SEPARATELY. CONCEALED ARM SUPPORT AS REQUIRED TO BE FURNISHED BY OTHERS IMPORTANT: Dimensions of fixtures are nominal and may vary within the range of tolerances established by ANSI Standard A112.19.2. These measurements are subject to change or cancellation. No responsibility is assumed for use of superseded or voided pages.



● Top of front rim mounted 864mm (34") from finished floor.
MEETS THE AMERICAN DISABILITIES ACT GUIDELINES AND ANSI A117.1 REQUIREMENTS FOR PEOPLE WITH DISABILITIES