

### TROPIC 30" (762mm) VANITY

#### 9212 030 Tropic Vanity

- Traditional style vanity with Asian flair
- Constructed of poplar solids and birch veneers
- Matching Rattan door pulls included
- Distressed Nutmeg finish (Sound knots and slight surface cracks are true personality characteristics of this design)

#### Nominal Dimensions:

29" x 20" (737 x 508mm)  
33-1/2" height (851mm)

#### Meets or Exceeds the Following Specifications:

- ASTM E133-2002

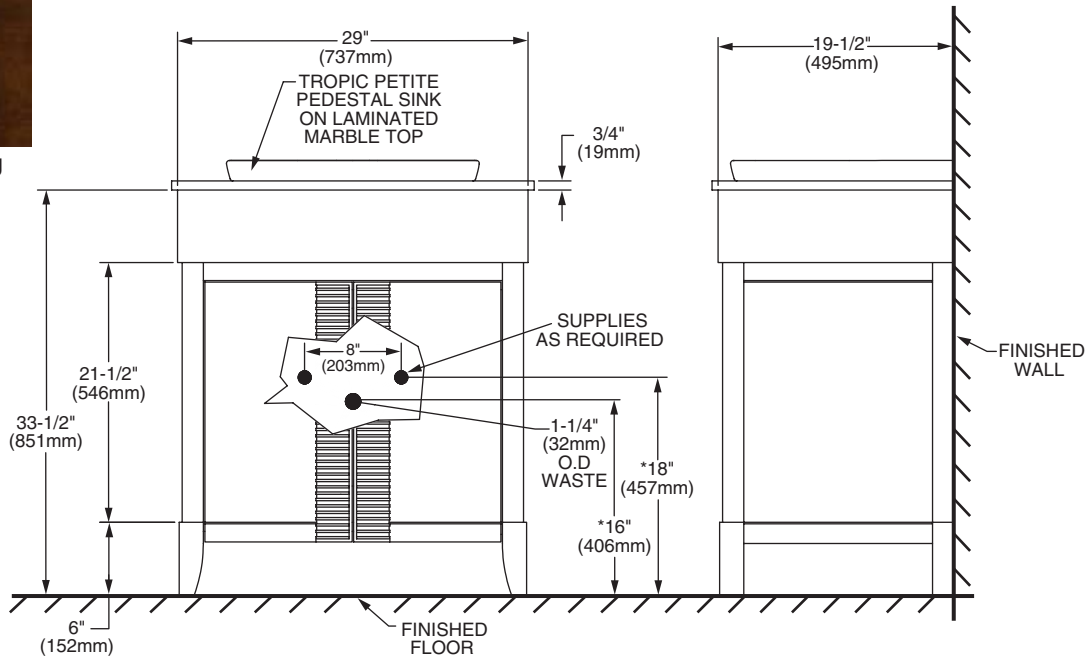


#### To Be Specified (Required):

- 9212 130 Laminated marble top, custom cut for Tropic drop-in sink
- with
- 0403 004 Tropic vitreous china drop-in sink - 4" (102mm) faucet holes (White - 020)
- or
- 0403 008 Tropic vitreous china drop-in sink - 8" (203mm) faucet holes (White - 020)



Nutmeg



#### NOTES:

- \* DIMENSIONS SHOWN FOR LOCATION OF SUPPLIES AND "P" TRAP ARE SUGGESTED.
- FAUCETS NOT INCLUDED AND MUST BE ORDERED SEPARATELY.
- PROVIDE SUITABLE REINFORCEMENT FOR ALL WALL SUPPORTS.

**IMPORTANT:** Dimensions of fixtures are nominal and may vary within the range of tolerances established by ANSI Standard A112.19.9M. These measurements are subject to change or cancellation. No responsibility is assumed for use of superseded or voided pages.