



BARRIER FREE & GENERAL USE

FloWise® FLUSH-FREE WATERLESS URINAL

- Vitreous china no water wall hung urinal with integral housing and drain insert
- Includes Mounting Hardware and Wall Bracket
- Drain Flange Coupler
- Odor Barrier Liquid
- Insert Key
- Drain Insert
- Installation and Maintenance Instructions

6150 100 Large

Nominal Dimensions:

502 x 711 x 394mm
(19-3/4" x 28" x 15-1/2")

6154 100 Medium

Nominal Dimensions:

406 x 629 x 394mm
(16" x 24-3/4" x 15-1/2")

6155 100 Small

Nominal Dimensions:

342 x 495 x 330mm
(13-1/4" x 19-1/2" x 13")

6156 100 Replacement Kit

Compliance Certifications -

Meets or Exceeds the Following Specifications:

- ASME A112.19.19 for Vitreous China Fixtures

To Be Specified

- Colour: White



●When installed so top of rim is 387mm (15-1/4") from finished floor.
MEETS THE AMERICAN DISABILITIES ACT GUIDELINES AND ANSI A117.1 ACCESSIBLE AND USEABLE BUILDINGS AND FACILITIES - CHECK LOCAL CODES.



6150 100 Large



6154 100 Medium

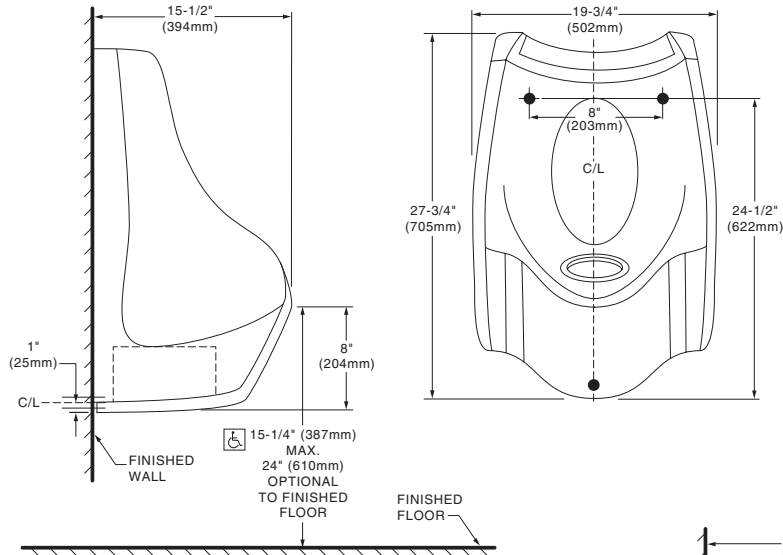


6155 100 Small

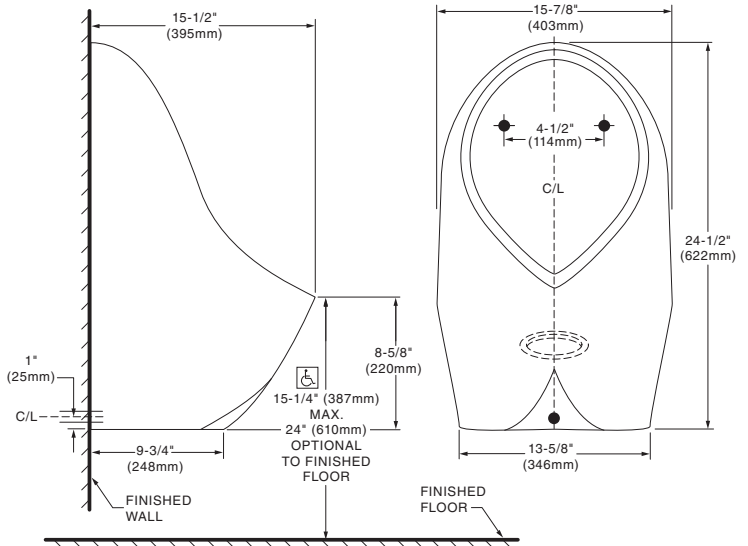


BARRIER FREE & GENERAL USE

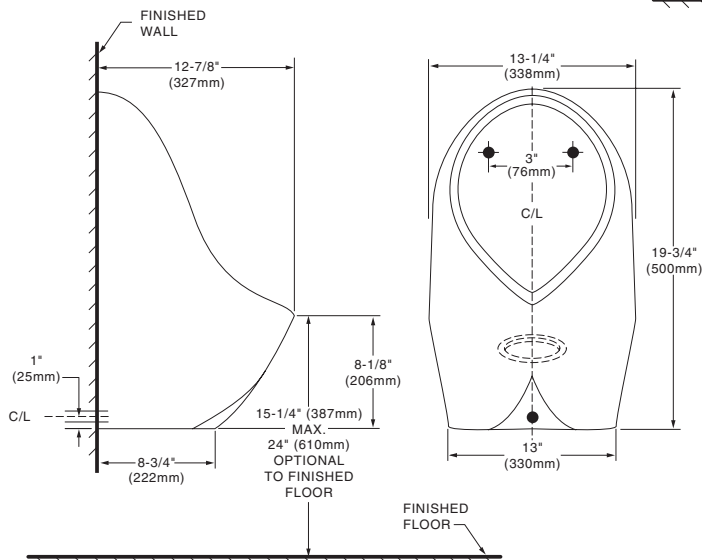
6150 100 Large



6154 100 Medium



6155 100 Small



NOTES:
PROVIDE SUITABLE REINFORCEMENT FOR ALL WALL SUPPORTS.

IMPORTANT: Dimensions of fixtures are nominal and may vary within the range of tolerances established by ANSI Standard A112.19.2. These measurements are subject to change or cancellation. No responsibility is assumed for use of superseded or voided pages.